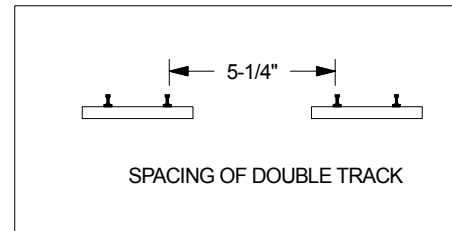
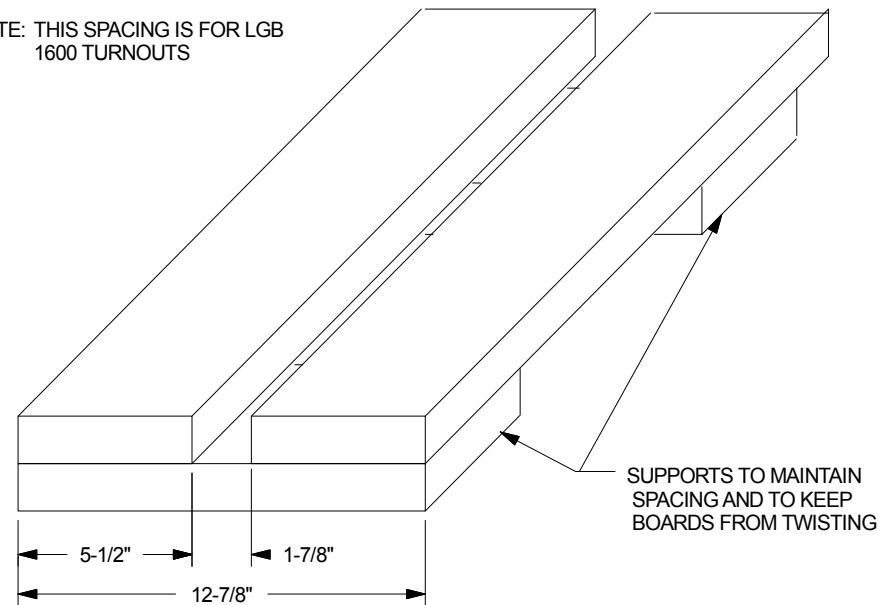


PART A
SUPPORTS FOR JOINING 2 X 6



NOTE: THIS SPACING IS FOR LGB
1600 TURNOUTS

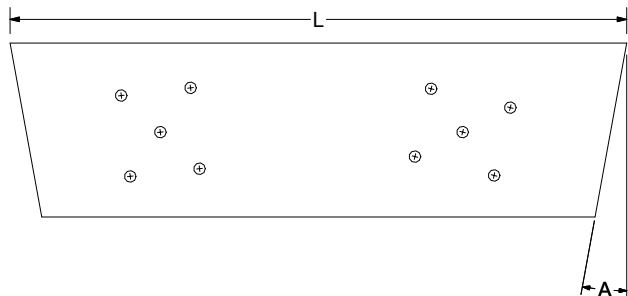


SPACING AND SUPPORTS FOR DOUBLE TRACK

Material List

- 2 x 6 x 10" Pressure Treated
Ground Contact Grade 40
- 8 x 2-1/2" Deck Screw Square Head
Teflon Coated

Diameter of Track	"A" Angle	"L" Outside Length	Needed For Circle
5' Dia	15°	17-3/8"	12
8' Dia	11-1/4°	19-1/2"	16
10' Dia	11°	21-1/2"	16
20' Dia	9°	38"	20



2 X 6 ROADBED FOR SUPPORTING CURVED TRACK